

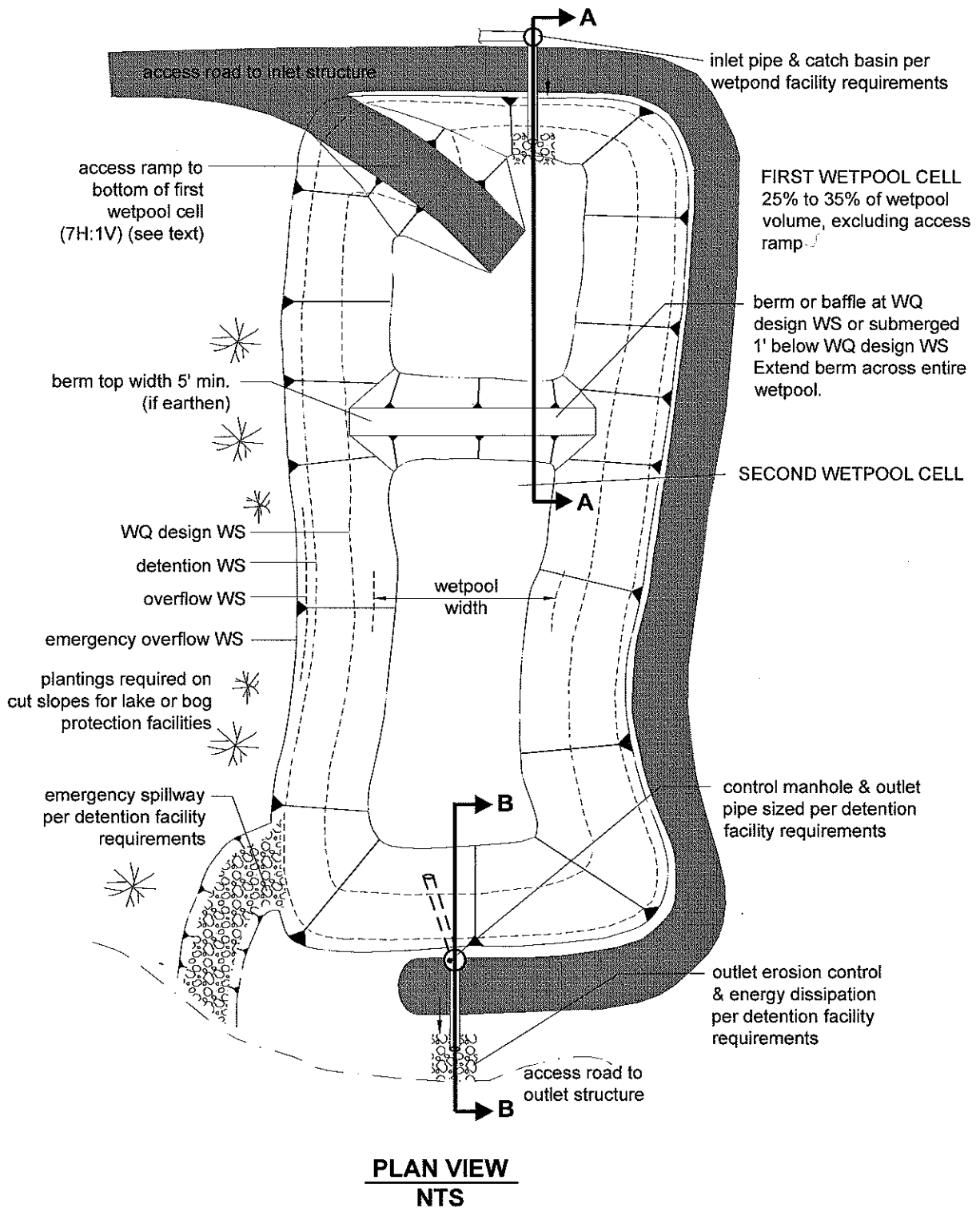
# Miller Creek Greenway Concept Report



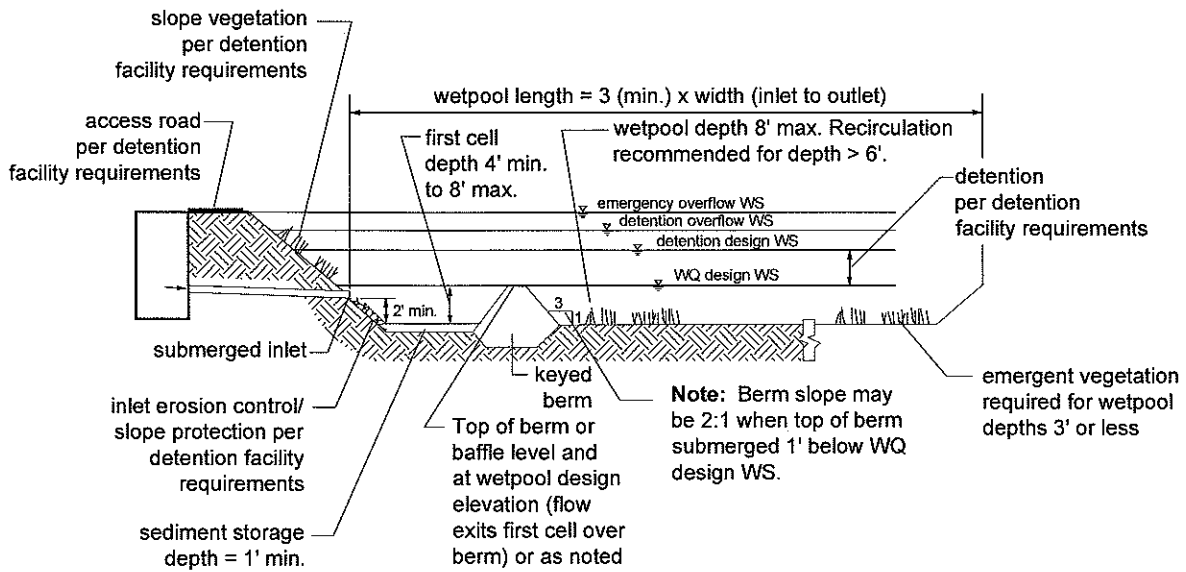
## APPENDIX



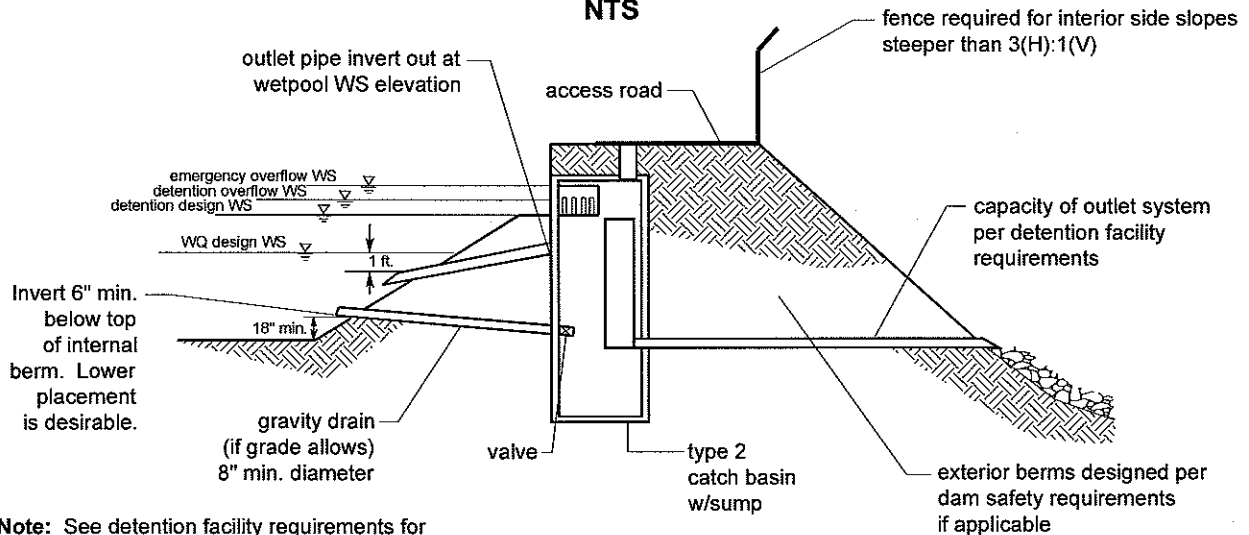
**FIGURE 6.4.4.A COMBINED DETENTION AND WETPOND**



**FIGURE 6.4.4.A COMBINED DETENTION AND WETPOND (CONTINUED)**



**SECTION A-A**  
NTS



**SECTION B-B**  
NTS

**Note:** See detention facility requirements for location, interior & exterior sideslopes, and setback requirements.

**TABLE 6.1.2.A  
PAIRED FACILITIES FOR ENHANCED BASIC TREATMENT TRAIN, OPTION 3**

<b>First Basic WQ Facility:</b>	<b>Second WQ Facility:</b>
Biofiltration swale (Sections 6.3.1, 6.3.2, and 6.3.3)	Basic sand filter or sand filter vault (Section 6.5.2 or 6.5.3) or StormFilter with CSF (Section 6.5.5)
Filter strip (Sections 6.3.4 and 6.3.5)	Linear sand filter (Section 6.5.4) with no presettling cell needed
Linear sand filter (Section 6.5.4)	Filter strip (Sections 6.3.4 and 6.3.5)
Basic wetpond (Section 6.4.1)	Basic sand filter or sand filter vault (Section 6.5.2 or 6.5.3) or StormFilter with CSF (Section 6.5.5)
Wetvault (Section 6.4.2)	Basic sand filter or sand filter vault (Section 6.5.2 or 6.5.3) or StormFilter with CSF (Section 6.5.5)
Basic combined detention and wetpool facility (Section 6.4.4)	Basic sand filter or sand filter vault (Section 6.5.2 or 6.5.3) or StormFilter with CSF (Section 6.5.5)
Basic sand filter or sand filter vault (Sections 6.5.2 or 6.5.3). <i>A presettling cell is required if the sand filter is not preceded by a detention facility.</i>	StormFilter with CSF (Section 6.5.5)
StormFilter with ZPG (Section 6.5.5)	Basic sand filter or sand filter vault (Section 6.5.2 or 6.5.3) or StormFilter with CSF (Section 6.5.5)